



# DATA SHEET

## Ultra-micro Current Transformer

**PN: CMCT102**

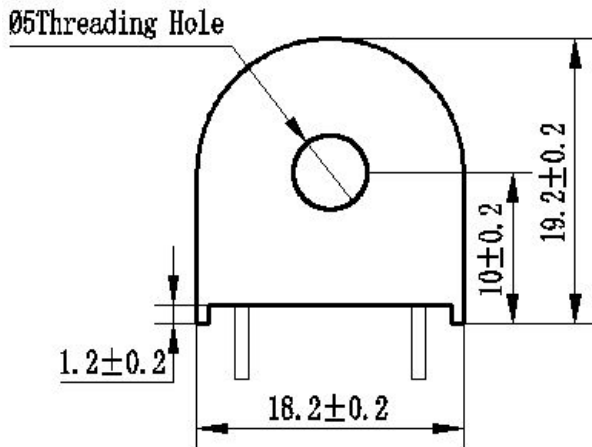
**IPN=5A**

### Feature & Applications

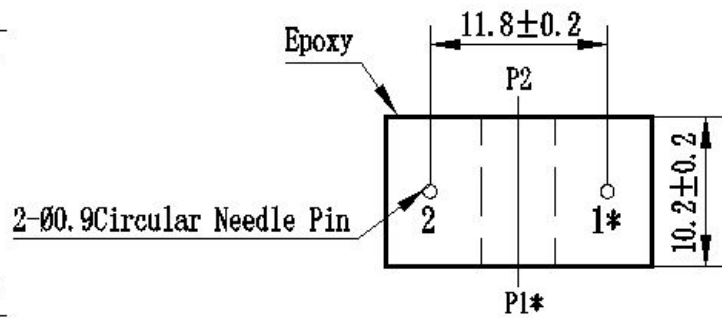
- Small size
- High accuracy
- Good consistency.
- Used for current and power measurement



### Structural Parameter :



**Front view**



**Bottom view**

"\*" Same Polarity

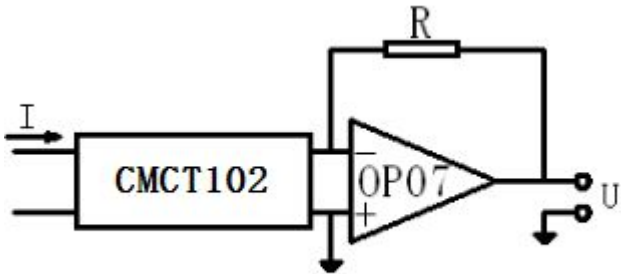
### The Main Technical Parameters :

Model	CMCT102
Rated input current	5A
Rated output current	2.5mA
Turns ratio	2000:1
Phase angle error	≤20' (Input 1A, sampling resistor 100Ω)
Linear range	0~20A (sampling resistor 100Ω)
Linearity	0.2% (5%dot~120%dot)
Permissible error	-0.2%≤f≤+0.2% (Input 1A, sampling resistor 100Ω)
Application	Current and power measurement
Isolation voltage	4500V

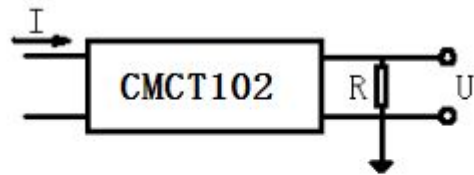


Encapsulation	Epoxy
Installation	PCB mounting (Pin length>3mm)
Operating temperature	-40°C~+85°C

**Direction For Use:**



**Figure I**



$$U = \frac{I}{2000} \cdot R$$

I: input current  
R: sampling resistor  
U: sampling voltage

**Figure II**

1. The typical usage of the product is for the active output ( Figure I ). R is a sampling resistor
2. The product can be directly through the resistance sampling , easy to use ( Figure II ).

